

SAM Club 225

1612030

Economical Main Court system for clubs, secondary schools, community halls, school gyms, national and regional competitions of all levels. Projection 225 cm. FIBA approved Level 2. The heavy-duty glass backboard is fitted into a full-perimeter steel frame. The ring attaches to the metal plate in the backboard, which is connected directly to the main beam. No bolts pass thru the glass, so dunking never places stress on the glass.

A Pro Strength dunk ring, safety padding on the front, sides and backboard and a robust, nylon net are included.

The backstop can easily be rolled in position. The spring-assisted height adjustment is both simple and safe. Low-maintenance. The 2 floor stamps offer maximum stability in game position.



LEVEL 2



Storage position



Ring height 260 cm



Ring height 305 cm

Technical specifications

- Backstop:** Strong and stable, high-tensile strength steel frame, lifetime maintenance free pivot bearings, 100% enclosed counter weights.
- Positioning:** Lifting and lowering by use of SAM system (Spring Assisted Mechanism): easy, safe and low-maintenance.
One-step set-up thanks to the APF system (Automatic Pedestal Feet).
- Wheels:** 2 double swivel wheels at in the front and 2 double fixed wheels in the back.
- Backboard:** Patented dunk-proof 12 mm glass with a full-perimeter steel frame and cut-out for the ring.
- Ring:** Pro Strength breakaway dunk ring. Competition ring with concealed net attachment.
- Net:** Sturdy nylon Anti-Whip basketball net, 6 mm.
- Padding:** Impact area padding on both the fronts and sides of the base frame. Standard colour Schelde blue. Other colours are optional. Backboard protection padding is made of high density PU foam.
- Anchoring:** Floor hook at the rear of the frame. 2 positioning pins on the front for rapid installation at the right place on the court.
- Dimensions:** Storage position: (LxWxH) ± 415x190x210 cm.
Playing position: (LxWxH) ± 478x190x395 cm.
- Weight:** 1100 kg.
- Standard:** In accordance with EN-1270.
- FIBA Level:** FIBA Level 2 approved.

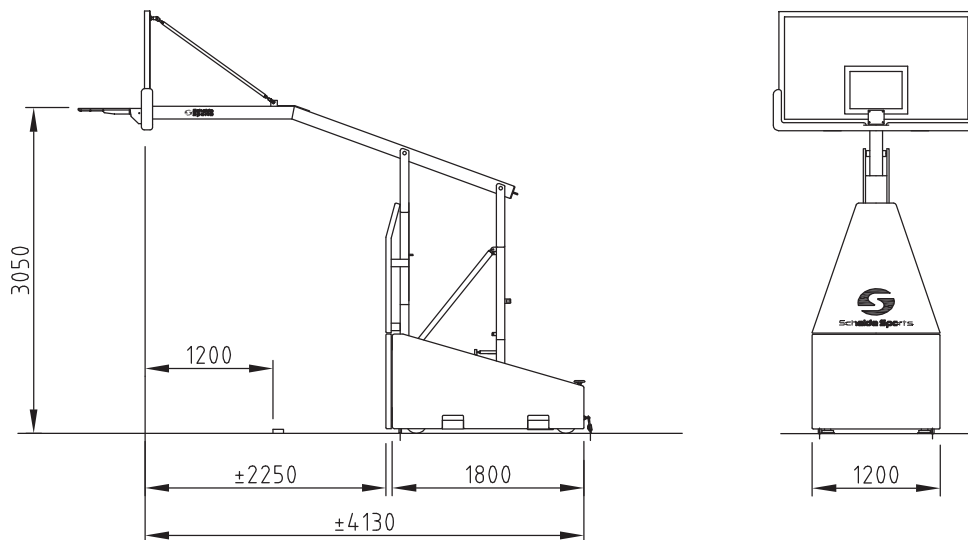
Latest update: April 2020

Schelde Sports
E-mail: export@scheldesports.com
www.scheldesports.com

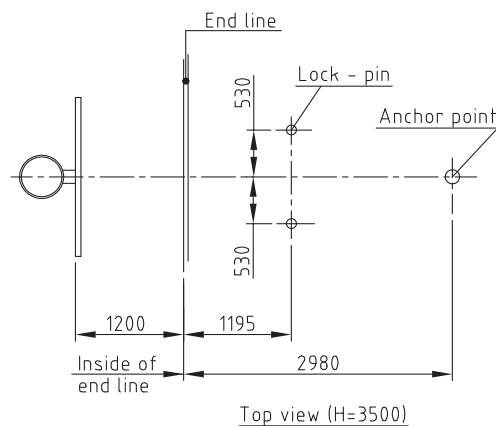
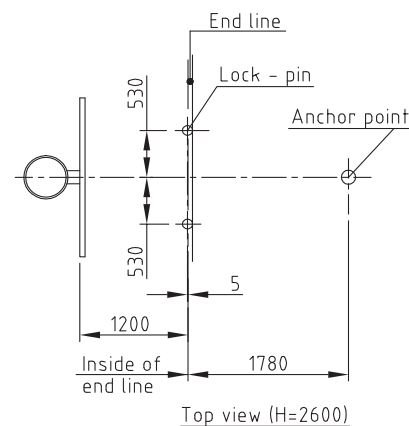
The Netherlands
E-mail: verkoop@janssen-fritsen.nl
www.janssen-fritsen.nl

Belgium
E-mail: info@janssen-fritsen.be
www.janssen-fritsen.be

Measurements in game position



Measurements for anchoring system



SAM 225 Club

Weight/floor pressure

- Total weight 1,030 kg
- Total load (kg) on wheels in transport position:
 - Front wheels 470 kg
 - Rear wheels 560 kg
- Floor pressure (kg/cm²) in transport position:
 - Front wheels 2x1 11.7 kg/cm²
 - Front wheels 2x2 6.4 kg/cm²
 - Rear wheels 2x2 8.2 kg/cm²
- Total load (kg) in game position:
 - Front (DSF/Pedestal Feet) 695 kg
 - Rear (wheels) 320 kg
- Floor pressure in game position:
 - Rear wheels 2x2 4.7 kg/cm²
 - Automatic Pedestal Feet 4.6 kg/cm²
- Floor Pressure while dunking (dunk & let loose)
 - Automatic Pedestal Feet 8.8 kg/cm²
- Floor Pressure while extreme dunking
 - Automatic Pedestal Feet 14.9 kg/cm²

Safety zone (backboard to front of impact area) 225 cm

Distance from baseline to nearest wall needed for automatic setup 420 cm

Latest update: April 2020

Schelde Sports

E-mail: export@scheldesports.com
www.scheldesports.com

The Netherlands

E-mail: verkoop@janssen-fritsen.nl
www.janssen-fritsen.nl

Belgium

E-mail: info@janssen-fritsen.be
www.janssen-fritsen.be