

# Super SAM 325 PRO

1612200

SAM sets the world standard for excellence. Designed and manufactured by the inventors of the Spring Assisted Mechanism (SAM) and Dynamic Sub Frame (DSF). The diamond-shaped safety padding gives this new Super SAM 325 PRO a unique appearance. Another interesting feature: the possibility to integrate media cables in top beam.

### Easy to move, set up and store

One step easy set-up system, within 5 seconds 1 person can set the basketball backstop into the right game position. The SAM system is low maintenance: no hydraulic oil or electricity needed and easy to operate.



**NEW 2020**



**LEVEL 1 + 2**

### Technical specifications

Projection:	325 cm.
Positioning:	Lifting and lowering by use of SAM system (Spring Assisted Mechanism): easy, safe and low maintenance. Fine tuning of the ring height for perfect adjustment in game position.
Stability:	Patented DSF system (Dynamic Sub Frame): when raising the unit, the base frame automatically lowers onto the floor. This ensures the basketball backstop is immediately in the right game position and the weight is evenly distributed.
Backstop:	Strong and stable, white coated high-tensile strength steel frame. Lifetime maintenance free pivot bearings, 100% enclosed counter weights.
Wheels:	2 triple swivel wheels in the front and 2 triple fixed wheels in the rear for optimal weight distribution, all with bearings for great mobility.
Backboard:	Patented "Dunk Proof" 12 mm glass with a full-perimeter steel frame and cut-out for the ring.
Ring:	Pro 180° Equal Force Dunk ring, with concealed net attachments. This dunk ring is FIBA Level 1 & 2 approved. For equal force flex in different directions (180°).
Net:	Sturdy nylon Anti-Whip basketball net, 6 mm.
Padding:	Diamond-shaped safety padding on both the front and sides of the base frame. Standard colour Schelde blue. Backboard protection padding is made of high-density PU foam. Optional: paddings can be personalized.
Dimensions:	Storage position (l x w x h) ca. 519x193x210 cm. Automatic beam lock in storage position. Playing position (l x w x h) ca. 593x193x398 cm. Automatic snap lock on telescope in playing position.
Transport:	Equipped with openings for a forklift truck for transport over longer distances.
Anchored:	Floor hook at the rear of the frame. 2 positioning pins for quick and precise installation on the court. Floor connector set included: for both PU floors and suspended floors.
Standard:	In accordance with EN-1270.
FIBA level:	FIBA Level 1 & 2 approved.



Pro 180° Equal Force Dunk ring



Storage position



Ring height 305 cm

Latest update: June 2020

#### Schelde Sports

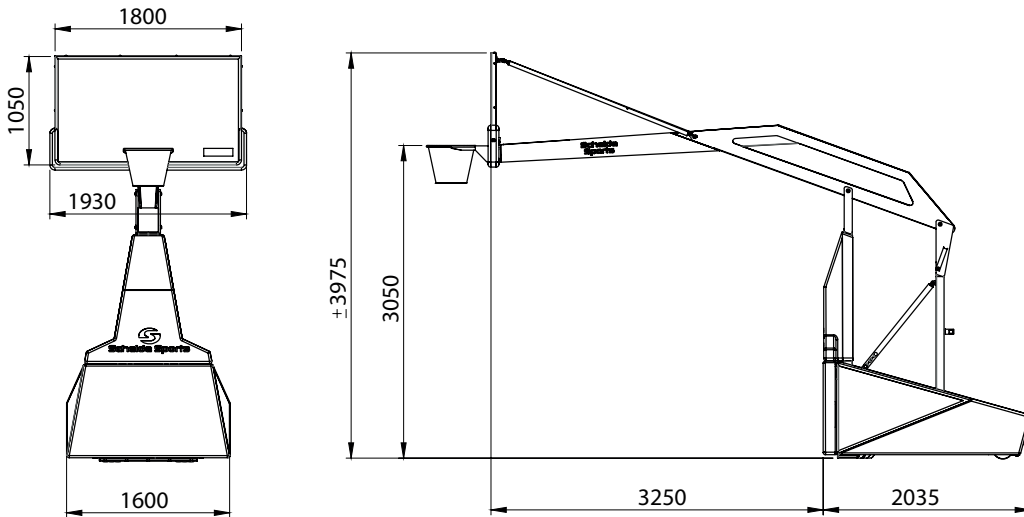
E-mail: [export@scheldesports.com](mailto:export@scheldesports.com)  
[www.scheldesports.com](http://www.scheldesports.com)

#### The Netherlands

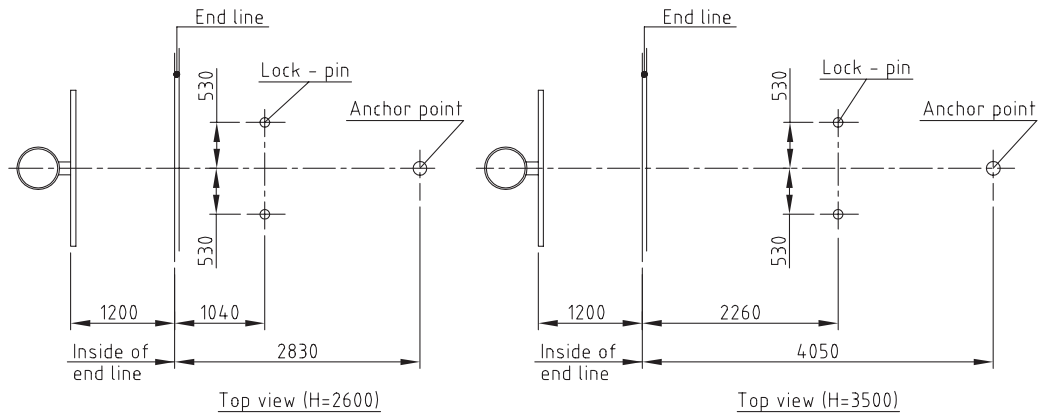
E-mail: [verkoop@janssen-fritsen.nl](mailto:verkoop@janssen-fritsen.nl)  
[www.janssen-fritsen.nl](http://www.janssen-fritsen.nl)

#### Belgium

E-mail: [info@janssen-fritsen.be](mailto:info@janssen-fritsen.be)  
[www.janssen-fritsen.be](http://www.janssen-fritsen.be)



Measurements in game position



Measurements for anchoring system

**Super SAM 325 PRO**

Weight/floor pressure

Total weight 1445 kg

Total load on wheels in transport position:

- Front wheels 705 kg
- Rear wheels 740 kg

Floor pressure in transport position:

- Front wheels 2x3 6,5 kg/cm<sup>2</sup>
- Rear wheels 2x3 6,8 kg/cm<sup>2</sup>

Total load in game position:

- Front (DSF/Pedestal Feet) 1010 kg
- Rear (wheels) 435 kg

Floor pressure in game position:

- Rear wheels 2x3 4,5 kg/cm<sup>2</sup>
- DSF Dynamic Sub Frame 2,0 kg/cm<sup>2</sup>

Floor Pressure while dunking (dunk & let loose):

- Dynamic Sub Frame 3,3 kg/cm<sup>2</sup>

Floor Pressure while extreme dunking:

- Dynamic Sub Frame 5,66 kg/cm<sup>2</sup>

Safety zone (backboard to front of impact area) 325 cm

Distance from inside end line to nearest wall needed for setup with AUTOMATIC DSF is 525 cm. If distance is less, MANUAL DSF option is required. Minimum distance required for use with MANUAL DSF is 410 cm from inside end line to nearest wall.

Latest update: June 2020

**Schelde Sports**

E-mail: [export@scheldesports.com](mailto:export@scheldesports.com)  
[www.scheldesports.com](http://www.scheldesports.com)

**The Netherlands**

E-mail: [verkoop@janssen-fritsen.nl](mailto:verkoop@janssen-fritsen.nl)  
[www.janssen-fritsen.nl](http://www.janssen-fritsen.nl)

**Belgium**

E-mail: [info@janssen-fritsen.be](mailto:info@janssen-fritsen.be)  
[www.janssen-fritsen.be](http://www.janssen-fritsen.be)